

pushbuttons

US89



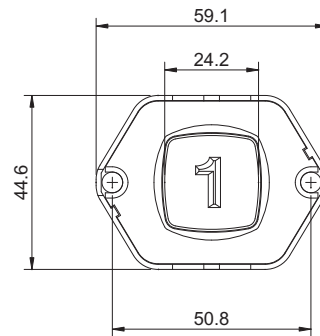
US89

The timeless design of the US89 pushbutton has proven to be very successful over the years. The obround shape is a refreshing alternative to the more common round or square shape. The illuminated tactile legend provides clear identification and the button can be illuminated in a wide variety of colours. The US89 is available with the standard Compact 2 body, or Compact 2 Micro, a useful option for surface mount fixtures.

key features

- 13mm tactile legend
- Legend and halo illumination
- Vandal resistant with stainless steel front
- Large range of pressel legends
- Standard pressels are a stainless steel plate moulded with red or opal polycarbonate

specification



This product is designed to meet the requirements of the following codes and regulations either in its standard form or through variants.

EN81-1/2



technicals

- Moulded in high grade polycarbonate
- LED current 20mA
- A detailed data sheet for this product can be found on our website

benefits

- Matching range includes keyswitches, rocker switches, and indicators
- Vandal resistant

options

- Wide range of colours for illumination including red, white, green, yellow and blue
- Single, dual and bi-colour illumination
- Available with either C2 or C2 Micro body
- Range of pressel finishes including stainless steel, brass, mirror and others